

Pro's Choice

BS.PRO

Thruster / Sail / Stern drive

Electric Thruster System / Thruster / Sail Propellers



Hydraulic Thruster Propeller

We cooperate with many boat builders in Korea and are continuously developing our propellers in accordance with the market's demand for high performance thruster systems. We design our thruster propellers especially for small and medium sized fishing boats and commercial boats.



| Hydraulic Thruster Propeller |

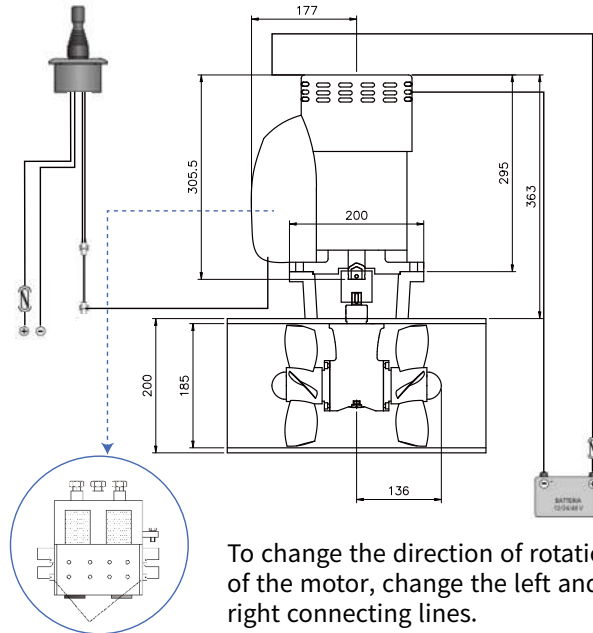
Series	BTY-250	BTY-300	BTY-340	BTY-350	BTY-390	BTY-450	BTS-380
Propeller Diameter (mm)	250	300	340	350	390	450	380
Propeller Blades	4	4	4	4	4	4	4
Propulsion system	Single	Single	Single	Single	Single	Single	Twin
Shaft Diameter (mm)	22.2	22.2	35.5	35.5	35.5	32	23~30
Typical boat size (Ton)	5~6	10	11~16	11~16	17~21	22~23	16~19

BS.PRO aluminum propellers are
the crystals of our endeavor.



Electric Thruster System

- DC electric motor, bevel gear, aluminum propeller
- Prevent motor overheating
- Registered as fishing equipment by the Korea National Federation of Fisheries Cooperatives



To change the direction of rotation of the motor, change the left and right connecting lines.



Certificate of articles for ship use
(Korea Maritime Transportation Safety Authority)

Model : BET-185

Voltage	Fuse	Power	MAX Thrust	Material (Hub)	Propeller	Tunnel	Weight	Type	
DC12V	500A	4kW	95kgf	Brass	AL	Ø180 4BL	ID Ø185 OD Ø200	24KG	Twin /Single
DC24V	250A	6kW							

- Boat size : 8 ~ 15m (26 ~ 50 ft)

Part List



FRP tunner 1m



wire, 10m



Lever



(motor, saddle, housing, propellers)

Example




* Control system that can protect the motor and gear by setting the operating time of the motor.





Stern drive / Sail Propeller

MERCUISER


Class	Stern-drive	Description	OEM Part No.	Blds	Remarks
F	 <ul style="list-style-type: none"> Fits Bravo Two Stern drives Thru hub exhaust, 19 tooth spline 	M300 18 3/4 X 17 LH	48-18613A40	3	Rubber Bushing
		M300 18 3/4 X 17 RH	48-18612A40	3	
		M300 18 1/4 X 19 LH	48-18615A40	3	
		M300 18 1/4 X 19 RH	48-18614A40	3	
		M300 17 3/4 X 21 LH	48-18617A40	3	
		M300 17 3/4 X 21 RH	48-18616A40	3	
		M300 17 1/2 X 23 LH	48-18619A40	3	
		M300 17 1/2 X 23 RH	48-18618A40	3	

MerCruiser®, and Alpha One™ are registered trademarks of Brunswick Corporation.

BS DUO

Class	Stem-Drive	BaekSan Part No.	OEM Part No.	Blds	Remarks		
DUO	 <ul style="list-style-type: none"> Diesel applications DP 280, 290 Drives Diesel engines up to 200 hp <p>Front prop - Three blades Left hand</p> <p>Rear prop - Four blades Right hand</p>	A3	BS-A3F	854766	854776	3	Rubber Bushing
			BS-A3R	854766	854786	4	
		A4	BS-A4F	854767	854777	3	
			BS-A4R	854767	854787	4	
		A5	BS-A5F	854768	854778	3	
			BS-A5R	854768	854788	4	
		A6	BS-A6F	854769	854779	3	
	BS-A6R		854769	854789	4		
	A7	BS-A7F	854770	854780	3		
		BS-A7R	854770	854790	4		
	 <ul style="list-style-type: none"> Gasoline applications DP 280, 290 Drives Gasoline and diesel engines (Diesel up to 230 hp). <p>Front prop - Three blades Left hand</p> <p>Rear prop - Three blades Right hand</p>	B3	BS-B3F	854816	854824	3	
			BS-B3R	854816	854832	3	
		B4	BS-B4F	854817	854825	3	
			BS-B4R	854817	854833	3	
B5		BS-B5F	854818	854826	3		
		BS-B5R	854818	854834	3		
B6		BS-B6F	854819	854827	3		
	BS-B6R	854819	854835	3			
B7	BS-B7F	854820	854828	3			
	BS-B7R	854820	854836	3			

BS SAIL

Class	Sail Drive	Description	OEM Part No.	Blds	Remarks
SAIL	 <p>S-Drive 110S, 120S, 130S, 150S</p> <p>Yanmar SD20 / SD 30</p> <p>17 tooth spline</p>	VSP 17 X 16 LH, 2B	21351265	2	Rubber Bushing
		VSP 15 X 14 LH, 3B		3	
		VSP 17 X 13 LH, 3B	23478968	3	
		VSP 17 X 14 LH, 3B	21401615	3	
		VSP 17 X 15 LH, 3B	23478970	3	
		VSP 18 X 16 LH, 3B	23478972	3	

Yanmar® is a registered trademark of YANMAR Co., Ltd.